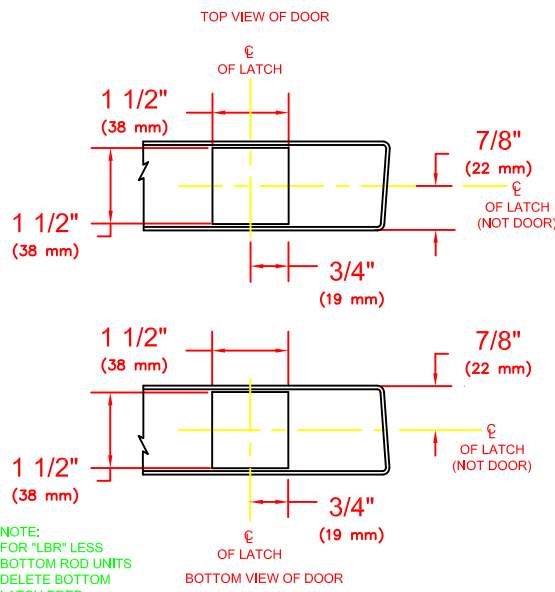
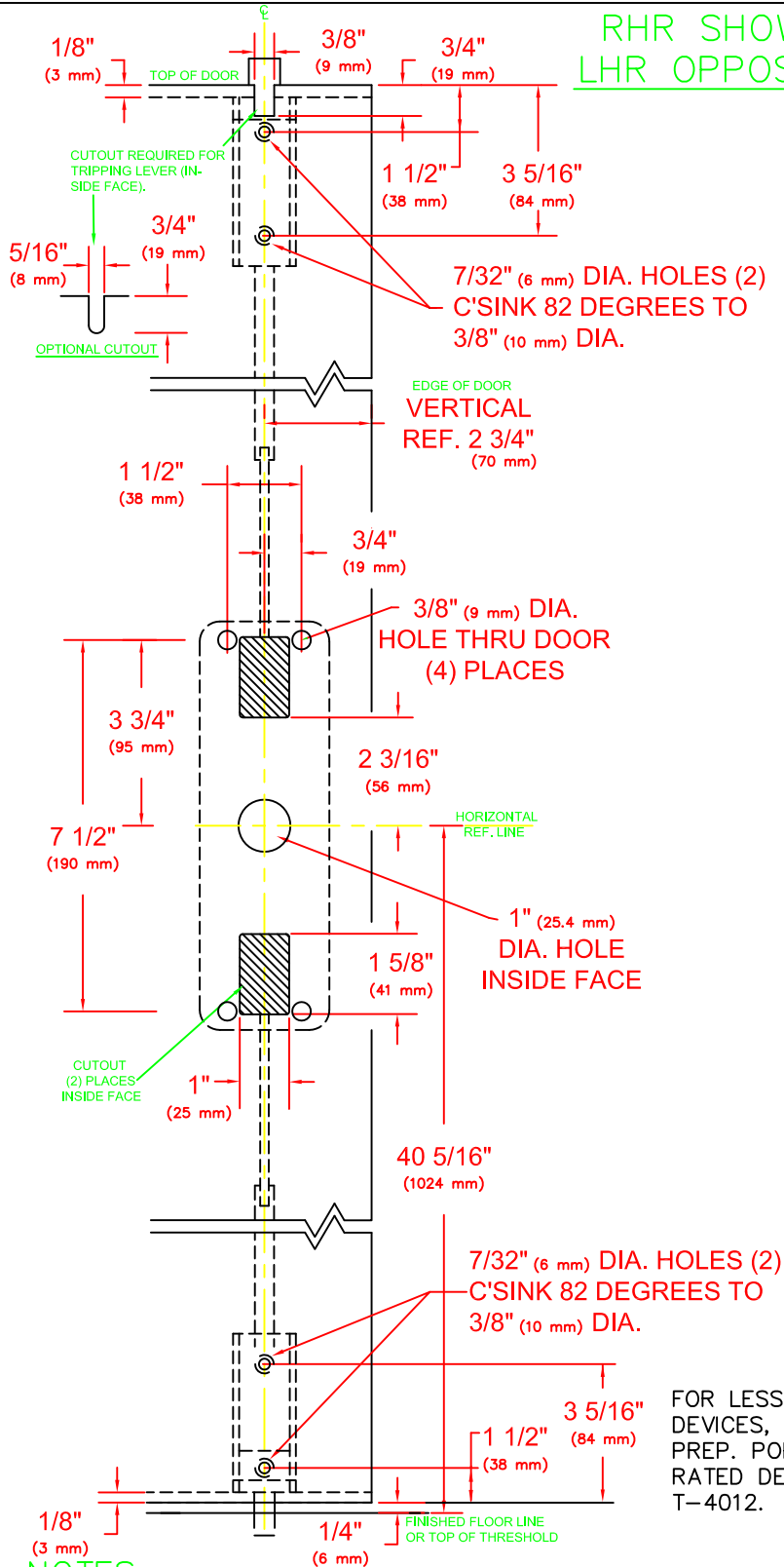
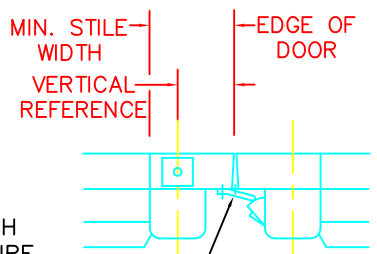
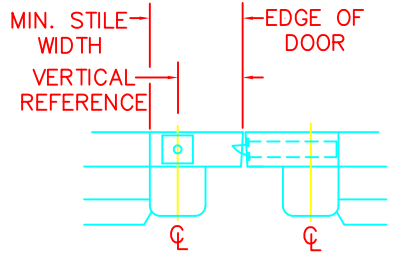
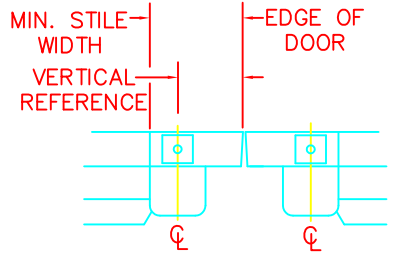


**RHR SHOWN  
LHR OPPOSITE**



NOTE:  
FOR "LBR" LESS  
BOTTOM ROD UNITS  
DELETE BOTTOM  
LATCH PREP.



OVERLAP STRIKE  
FOR 9300 SERIES  
MOUNTING LOCATION  
SEE APPROPRIATE  
9300 TEMPLATES.

FOR LESS BOTTOM ROD (LBR)  
DEVICES, DELETE BOTTOM  
LATCH PREP. POPPER REQUIRED ON FIRE  
RATED DEVICE, SEE TEMPLATE  
T-4012.

**NOTES:**

1. SEE MASTER SHEET #T-0001 FOR SUGGESTED DOOR REINFORCEMENT.
2. SEE ADDITIONAL TRIM TEMPLATE WHEN REQUIRED.
3. DEVICE WILL COVER STANDARD SDI CUTOUT.

VERTICAL REFERENCE	MINIMUM STILE WIDTH
2 3/4" (70 mm)	4 3/16" (106 mm)

REV. No. 4

REVISION: Lever Style Notes

DATE: 1-27-2014



9100 & F9100 x Y\*08 /08C, Y\*09 / 09C, Y\*23

Note; \* Denotes all Lever Design Styles

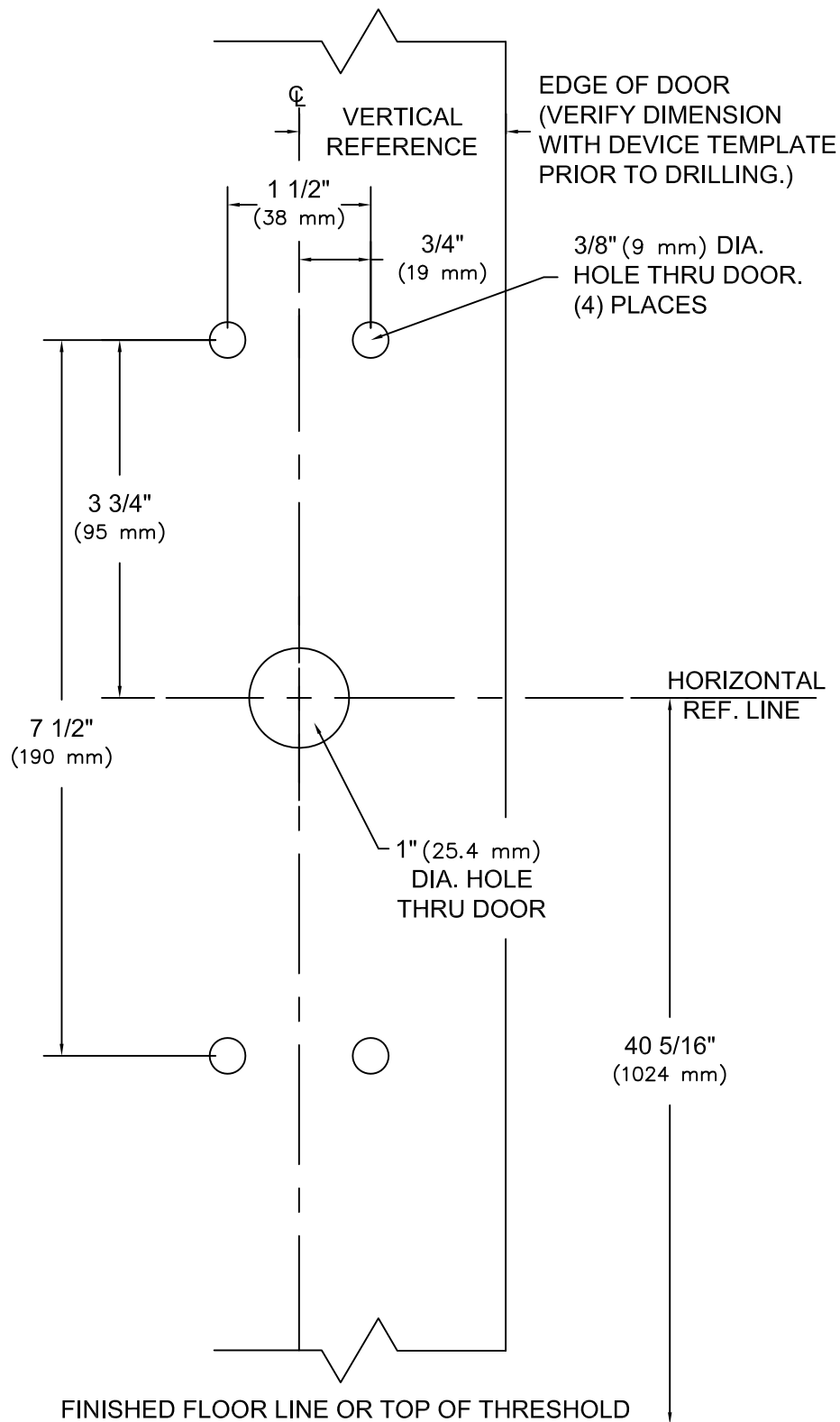
VERTICAL ROD EXIT DEVICE (Aluminum Door)

TEMPLATE NUMBER

T-9135AL

4

RHR SHOWN  
LHR OPPOSITE



NOTES:

1. SEE MASTER SHEET #T-0001 FOR SUGGESTED DOOR REINFORCEMENT.
2. SEE ADDITIONAL DEVICE TEMPLATE WHEN REQUIRED.
3. TRIM WILL COVER STANDARD SDI CUTOUT.

REV. No. 3

REVISION: Lever Style Notes

DATE: 1-16-14



Y\*23 TRIM

Note; \* Denotes all Lever Design Styles

TEMPLATE NUMBER

T-9006 ③